

REAL TIME MONITORING

The SolaRaft-iQM™ provides a variety of telemetry solutions for remote, real-time monitoring. Convenient, accessible, available when you need it.

- View your water quality data online, anywhere internet is available
- Customizable charts, graphs and units of measure
- Tailor alarms, warnings and parameters to suit your needs
- Reporting made easy with simple download and sharing options

BENEFITS

With SolaRaft- iQM™ & Water-iQM™ you can easily access Water Quality Data, such as: Temperature | Conductivity | Salinity | TDS | pH | ORP | Ammonia | Nitrates | Dissolved Oxygen | Turbidity | Chlorophyll-A | Blue-Green Algae | and more*



AFFORDABLE



ACCESSIBLE



EASY



CUSTOMIZABLE

ABOUT HYDRO BIOSCIENCE

Since 2016, Hydro BioScience, LLC (HBS) and Diversified Power International, LLC (DPI), have been pioneers of worldwide patented Ultrasonic Algae Remediation systems and technology, as proven through thousands of system installations. As stewards of the environment, with regard for public safety, HBS is driven to lower the chemical footprint. Through continued scientific research and product innovation, HBS commits to providing you, our valued customer, with ever improving functionality, quality, and affordability.



HBS IN HOUSE
MANUFACTURING



MULTIPLE
CARRIER OPTIONS



TIMELY,
ECONOMICAL DELIVERY

The SolaRaft-iQM™ ships in a standard courier box at approx. 28kg (60lbs), reducing costly delivery fees & freight delays.



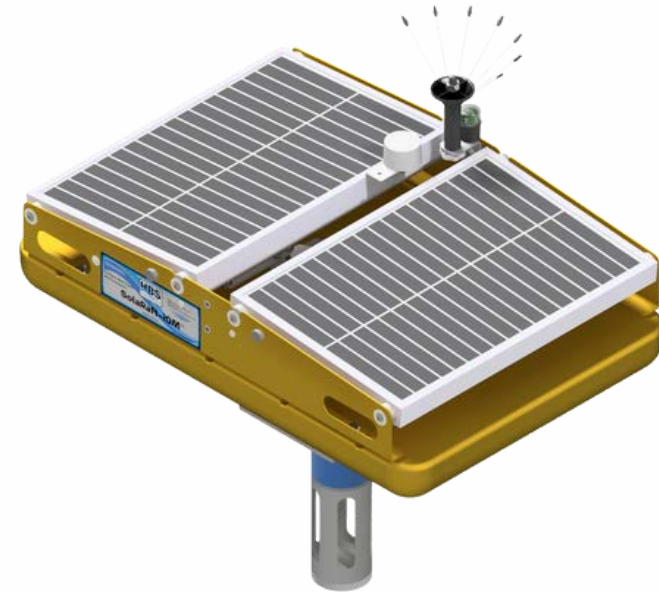
CONTROL EQUIPMENT COMPANY
Supplier to Water & Wastewater Facilities

www.cec-online.com
info@cec-online.com
800.572.3220



SolaRaft-iQM™ Water-iQM™

Manufactured by Hydro Bioscience



GPS Telemetry
Intelligent Water
Quality Monitoring

Putting the "IQ" in Intelligent
Water Quality Monitoring

ANYTIME, ANYWHERE

We're so sure you'll love the convenience of our real time monitoring system; we'll give you a 6-month Real-Time Water Analysis Data Monitoring subscription FREE!**



*Probe sold separately; dealer pricing available.

**With system purchase. Mobile data rates may apply.

SolaRaft-iQM™

INTELLIGENT WATER QUALITY MONITORING SYSTEM

- SolaRaft-iQM™ is buoyancy rated at 54kg (120lbs)
- System and modules designed to IP67/68 protection

**DEPLOYABLE
IN UNDER 10
MINUTES**

FEATURES

High efficiency solar controller with intelligent wireless & serial communications.

High Energy Density, ultra-light weight battery with Energy Status indicator & capacity reporting.

Ample energy collection from dual high-wattage solar panels and increased battery storage capacity allows the SolaRaft-iQBD™ to properly power the water quality monitoring system and up to two HBS Mezzo-DB® or Quattro-DB® Ultrasonic Algae Control Transducers.

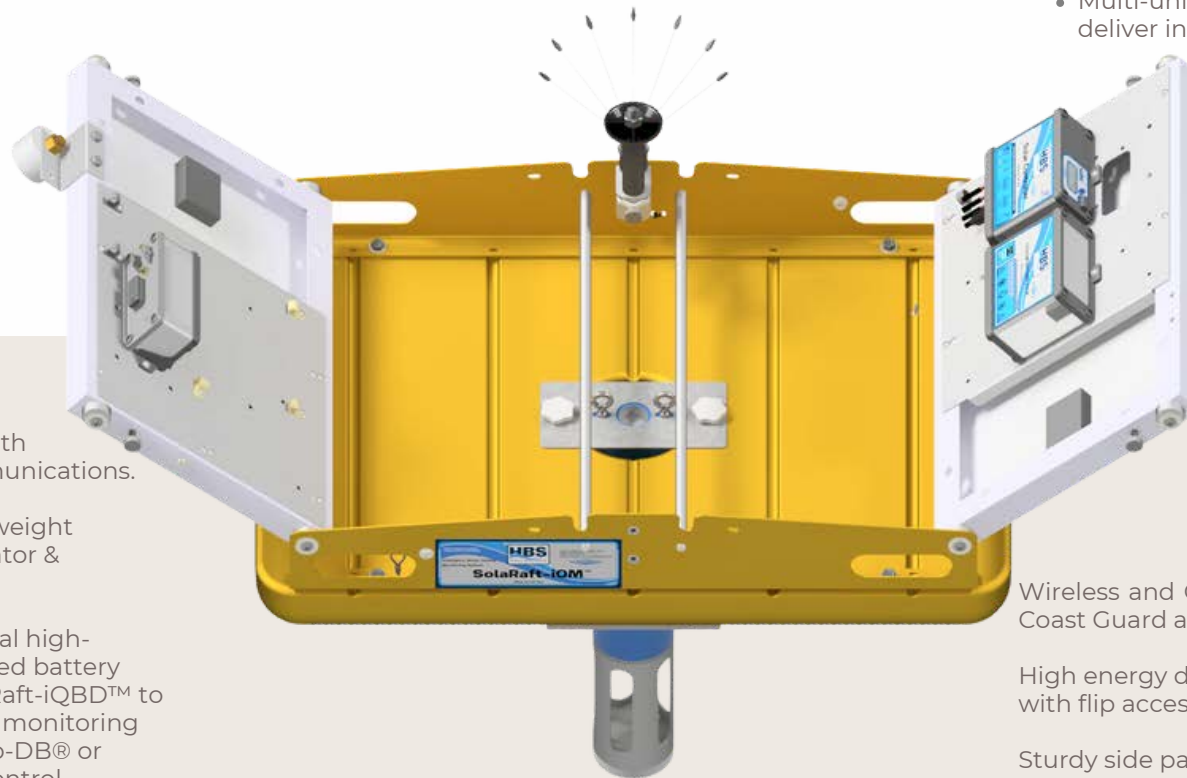
The SolarRaft-iQBD® buoy is also available without telemetry or water quality monitoring. Our buoy system is highly configurable for many applications.

Measures:
Length: 84cm (33 inches)
Width: 56cm (22 inches)
Height: 41cm (16 inches)

**DELIVERED
PRE-ASSEMBLED**

Cellular & Serial Communications link
Data broadcast includes:

- Impact/Shock Notification
- Battery Status
- Solar Panel Status
- Sensor Data
- Customizable Alarm Events
- GPS location
- Multi-unit arrays can be programmed to deliver information to a singular cell location



Wireless and Cellular communications antenna.
Coast Guard approved beacon.

High energy density, high efficiency, solar panels with flip access.

Sturdy side panels with hand lift access holes.

Lightweight, Hydro-Dynamic Instrumentation Yellow, Impact Resistant Buoy.

Multi-Sensor probe with optional UV anti-fouling system. Multiple arrays of monitoring sensors and sonde units available. This makes tailoring a system specifically to your application simple. While probes are tested and proven to exhibit minimal biofouling, an optional Extended Turbidity wiper is available.



Partial list of algae species affected by our patented systems: Aphanizomenon, Cyclotella, Pseudanabaena, Anabaena, Dictyosphaerium, Phacus, Aphanochaete, Fragilaria, Pinnularia, Arcella, Gloeocystis, Planktothrix, Gomphonema, Chlamydomonas, Lagerheimia, Chlorella, Lyngbya, Chroococcus, Microactinium, Spirogyra, Coelastrum, Staurastrum, Microcystis, Cosmarium, Tabellaria, Crucigenia, Nitzschia, Tribonema, Ulothrix, Botryococcus braunii, Rhodomonas minuta, Tetradasmus acuminatus, Scenedesmus quadricauda, Merismopedia tenuissima, Sphaerocystis Schroeteri, Chloromonas reticulata, Navicula minima, Cryptomonas erosa, and Oocystis pusilla



HBS products, such as the algae management & monitoring systems, are patent pending or patented in various countries worldwide. All products advertised, excluding solar panels are PROPRIETARY HBS, LLC PRODUCTS.