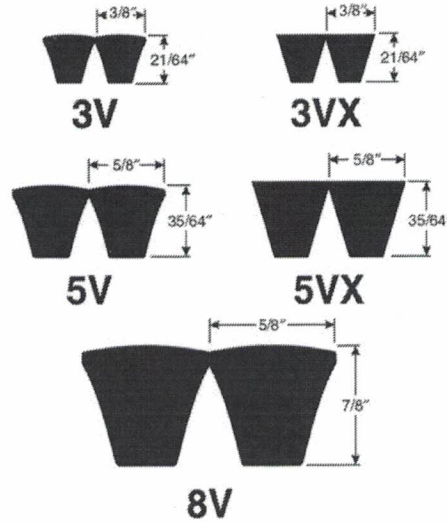


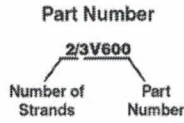
Showing Super HC® and Super HC® Molded Notch Belts with Corresponding Top Widths and Outside Lengths

IMPORTANT: The outside length is determined by placing a steel tape around the outside of the belt. This method should be used because it is the one most commonly used by Dealers and Jobbers when measuring a belt.



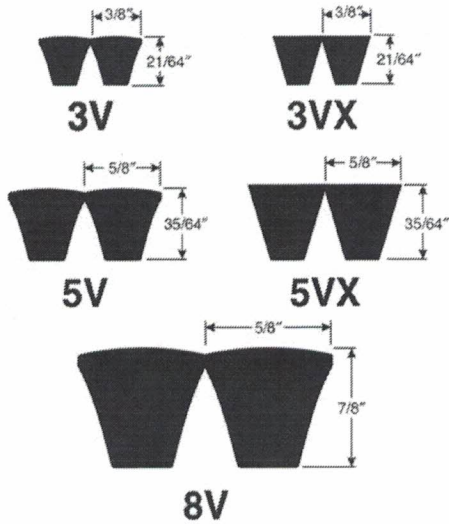
Belt No.	Length (in)	Belt No.	Length (in)	Belt No.	Length (in)	Belt No.	Length (in)	Belt No.	Length (in)
3V/3VX		3V/3VX - Cont.		5V/5VX - Cont.		5V/5VX - Cont.		8V	
3V250	25	3VX355	35 1/2	5V900	90	5VX630	63	8V1000	100
3V265	26 1/2	3VX375	37 1/2	5V950	95	5VX650	65	8V1060	106
3V280	28	3VX400	40	5V1000	100	5VX660	66	8V1120	112
3V300	30	3VX425	42 1/2	5V1060	106	5VX670	67	8V1180	118
3V315	31 1/2	3VX450	45	5V1120	112	5VX680	68	8V1250	125
3V335	33 1/2	3VX475	47 1/2	5V1180	118	5VX690	69	8V1320	132
3V355	35 1/2	3VX500	50	5V1250	125	5VX710	71	8V1400	140
3V375	37 1/2	3VX520	52	5V1320	132	5VX730	73	8V1500	150
3V400	40	3VX530	53	5V1400	140	5VX740	74	8V1600	160
3V425	42 1/2	3VX550	55	5V1500	150	5VX750	75	8V1700	170
3V450	45	3VX560	56	5V1600	160	5VX780	78	8V1800	180
3V475	47 1/2	3VX600	60	5V1700	170	5VX800	80	8V1900	190
3V500	50	3VX630	63	5V1800	180	5VX810	81	8V2000	200
3V530	53	3VX670	67	5V1900	190	5VX830	83	8V2120	212
3V560	56	3VX710	71	5V2000	200	5VX840	84	8V2240	224
3V600	60	3VX750	75	5V2120	212	5VX850	85	8V2360	236
3V630	63	3VX800	80	5V2240	224	5VX860	86	8V2500	250
3V670	67	3VX850	85	5V2360	236	5VX880	88	8V2650	265
3V710	71	3VX900	90	5V2500	250	5VX900	90	8V2800	280
3V750	75	3VX950	95	5V2650	265	5VX930	93	8V3000	300
3V800	80	3VX1000	100	5V2800	280	5VX950	95	8V3150	315
3V850	85	3VX1060	106	5V3000	300	5VX960	96	8V3350	335
3V900	90	3VX1120	112	5V3150	315	5VX1000	100	8V3550	355
3V950	95	3VX1180	118	5V3350	335	5VX1030	103	8V3750	375
3V1000	100	3VX1250	125	5V3550	355	5VX1060	106	8V4000	400
3V1060	106	3VX1320	132	5VX450	45	5VX1080	108	8V4250	425
3V1120	112	3VX1400	140	5VX470	47	5VX1120	112	8V4500	450
3V1180	118			5VX490	49	5VX1150	115	8V4750	475
3V1250	125			5VX500	50	5VX1180	118	8V5000	500
3V1320	132			5VX510	51	5VX1230	123	8V5600	560
3V1400	140			5VX530	53	5VX1250	125		
3VX250	25			5VX540	54	5VX1320	132		
3VX265	26 1/2			5VX550	55	5VX1400	140		
3VX280	28			5VX560	56	5VX1500	150		
3VX300	30			5VX570	57	5VX1600	160		
3VX315	31 1/2			5VX580	58	5VX1700	170		
3VX335	33 1/2			5VX590	59	5VX1800	180		
3VX350	35			5VX600	60	5VX1900	190		
				5VX610	61	5VX2000	200		

Key to Size Numbering System



The part number is constructed by placing the number of strands required followed by a slash in front of the size.

In the example above 2/ is the number of strands, 3V600 is the belt size.



Belt No.	Nominal Outside Length (in)	Belt No.	Nominal Outside Length (in)	Belt No.	Nominal Outside Length (in)
3V/3VX Section		5V/5VX Section		5V/5VX Section - Cont.	
2/3V600.....	60	2/5V950.....	95	2/5VX930.....	93
2/3VX375.....	37 1/2	2/5V975.....	97 1/2	2/5VX950.....	95
2/3VX475.....	47 1/2	2/5VX560.....	56	2/5VX1000.....	100
2/3VX500.....	50	2/5VX600.....	60	2/5VX1042.....	105 1/4
2/3VX630.....	63	2/5VX670.....	67	2/5VX1075.....	108 1/8
3/3V879.....	87 27/32	2/5VX686.....	69 1/4	2/5VX1400.....	140
3/3V910.....	91	2/5VX710.....	71	3/5VP213.68.....	213 11/16
3/3VX500.....	50	2/5VX800.....	80	3/5VP2000.....	200
3/3VX560.....	56	2/5VX830.....	83	5/5VX800.....	80
4/3VX425.....	42 1/2	2/5VX850.....	85		
		2/5VX917.....	91 3/4		

Size Lists