

# PUMP TUBES



## QuickPro® PUMP LINE - Pump Tube

Includes ferrules 1/4" (EUROPE 6 mm)

PART NUMBER	UM	DESCRIPTION	Works with
<b>UCCP20</b>	2-PK	Santoprene® tube	Classic / SVP / S / M128 M05 #5 tube only
<b>MCCP20</b>	5-PK	select # 1, 2, 3, 4 or 5 for ■	
<b>UCCP207</b>	2-PK	Santoprene® #7 tube	Classic 45 & 85 only / SVP / S / M128 M07 only
<b>MCCP207</b>	5-PK		
<b>UCTYGO</b>	2-PK	Versilon™ tube	Classic / SVP / S
<b>MCTYGO</b>	5-PK	select # 1, 2, 3, 4 or 5 for ■	
<b>EUROPE</b>	<b>UCCP2CE</b>	2-PK	Classic / SVP / S
	<b>MCCP2CE</b>	5-PK	
	<b>UCCP27CE</b>	2-PK	Classic 45 & 85 only / SVP / S
	<b>MCCP27CE</b>	5-PK	
<b>UCTYCE</b>	2-PK	Versilon™ tube	Classic / SVP / S
<b>MCTYCE</b>	5-PK	select # 1, 2, 3, 4 or 5 for ■	

Refer to the **Flow Rate Output Charts** to match the pump model with the correct tube.

Includes duckbills, ferrules 1/4" (EUROPE 6 mm)

PART NUMBER	UM	DESCRIPTION	Works with
<b>UCCPFD</b>	2-PK	Santoprene® tube select # 1 or 2 for ■	Classic / SVP / S
<b>UCCP7FD</b>	2-PK	Santoprene® #7 tube	Classic 45 & 85 only / SVP / S / M128 M07 only
<b>UCTYFD</b>	2-PK	Versilon™ tube select # 1 or 2 for ■	Classic / SVP / S
<b>EUROPE</b>	<b>UCFDCE</b>	2-PK	Classic / SVP / S
		Santoprene® tube select # 1 or 2 for ■	
	<b>UC7FDCE</b>	2-PK	Classic 45 & 85 only / SVP / S
<b>UCTYDCE</b>	2-PK	Versilon™ tube select # 1 or 2 for ■	Classic / SVP / S



## ECON PUMP LINE - Pump Tube

PART NUMBER	UM	DESCRIPTION	Works with
<b>EC30A-2</b>	2-PK	Pump Tube A, Ferrules 1/4"	Econ T
<b>EC30B-2</b>	2-PK	Pump Tube B, Ferrules 1/4"	Econ T
<b>EC30C-2</b>	2-PK	Pump Tube C, Ferrules 1/4"	Econ T
<b>EC30F-2</b>	2-PK	Pump Tube F, Ferrules 1/4"	Econ: FP, Integrator™, LD, T
<b>EC30G-2</b>	2-PK	Pump Tube G, Ferrules 1/4"	Econ: FP, Integrator™, T
<b>EC30H-2</b>	2-PK	Pump Tube H, Ferrules 1/4"	Econ: FP, Integrator™, Stennicator™, T
<b>EC30M-2</b>	2-PK	Pump Tube M, Ferrules 1/4"	Econ LD

Refer to the **Flow Rate Output Charts** to match the pump with the correct tube and roller assembly.

\* Confirm material compatibility with the chemical resistance guide in the catalog. Santoprene® is beige; Versilon™ and Pellathane® are clear; the FKM duckbill is black.



The Classic, SVP, M128 and S series are manufactured with the patent pending QuickPro® pump head. The QuickPro® contains a collapsible roller assembly and the housing is attached by latches instead of screws.

### QuickPro® Pump Head 0-25 psi (0-1.7 bar)

Includes pump head, tube, ferrules 1/4" (EUROPE 6 mm)

PART NUMBER	UM	DESCRIPTION	Works with
QP25-1	EA	Select Santoprene® tube	Classic / SVP
QP25-2	2-PK	# 1, 2, 3 or 4 for ■	
QP255-1	EA	#5 Santoprene® tube	Classic / SVP / M128 M05 only
QP255-2	2-PK		
QP25T-1	EA	Select Versilon™ tube	Classic / SVP
		# 1, 2, 3, 4 or 5 for ■	
EUROPE	QP17-1	EA	Classic / SVP
	QP17-2	2-PK	
	QP17T-1	EA	Select Versilon™ tube
		# 1, 2, 3, 4 or 5 for ■	

### QuickPro® Pump Head 26-100 psi (1.8-6.9 bar)

Includes pump head, tube, duckbill, ferrules 1/4" (EUROPE 6 mm)

PART NUMBER	UM	DESCRIPTION	Works with
QP10-1	EA	Select Santoprene® tube	Classic / SVP
		# 1 or 2 for ■	
QP107-1	EA	#7 Santoprene® tube	Classic 45 & 85 only / SVP / M128 M07 only
QP10T-1	EA	Select Versilon™ tube	Classic / SVP
		# 1 or 2 for ■	
EUROPE	QP69-1	EA	Classic / SVP
	QP697-1	EA	
	QP69T-1	EA	Select Versilon™ tube
		# 1 or 2 for ■	Classic (45 & 85 only) / SVP

Refer to the **Flow Rate Output Charts** to match the pump model with the correct tube.

### S SERIES

#### QuickPro® Pump Head with LEAK DETECT 25 psi (1.7 bar) max.

Includes pump head, tube, ferrules 1/4" (EUROPE 6 mm)

PART NUMBER	UM	DESCRIPTION	Works with
S310-1	EA	Select Santoprene® tube	S Series only
S310-2	2-PK	# 3, 4 or 5 for ■	
S320-1	EA	Select Versilon™ tube	S Series only
		# 3, 4 or 5 for ■	
EUROPE	S315-1	EA	S Series only
	S315-2	2-PK	
	S325-1	EA	Select Versilon™ tube
		# 3, 4 or 5 for ■	

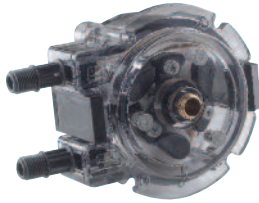
### S SERIES

#### QuickPro® Pump Head with LEAK DETECT 100 psi (6.9 bar) max.

Includes pump head, tube, duckbill, ferrules 1/4" (EUROPE 6 mm)

PART NUMBER	UM	DESCRIPTION	Works with
S310-1	EA	Select Santoprene® tube	S Series only
S310-2	2-PK	# 1, 2 or 7 for ■	
S320-1	EA	Select Versilon™ tube	S Series only
		# 1 or 2 for ■	
EUROPE	S315-1	EA	S Series only
	S315-2	2-PK	
	S325-1	EA	Select Versilon™ tube
		# 1 or 2 for ■	

\* Confirm material compatibility with the chemical resistance guide in the catalog. Santoprene® is beige; Versilon™ and Pellathane® are clear; the FKM duckbill is black.



The Classic, SVP, M128 and S series are manufactured with the patent pending QuickPro® pump head. The QuickPro® contains a collapsible roller assembly and the housing is attached by latches instead of screws.

### QuickPro® Innermost Pump Head 0-25 psi (0-1.7 bar)

Includes innermost pump head, tube, ferrules 1/4" (EUROPE 6 mm)

PART NUMBER	UM	DESCRIPTION	Works with
QPA25-1	EA	Select Santoprene™ tube	Classic 100 & 170 only
QPA25-2	2-PK	# 1, 2, 3, 4 or 5 for ■	
EUROPE QPA17-1	EA	Select Santoprene™ tube	Classic 100 & 170 only
EUROPE QPA17-2	2-PK	# 1, 2, 3, 4 or 5 for ■	

### QuickPro® Innermost Pump Head 26-100 psi (1.8-6.9 bar)

Includes innermost pump head, tube, duckbill, ferrules 1/4" (EUROPE 6 mm)

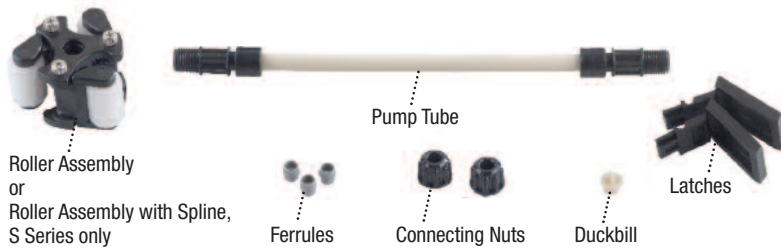
PART NUMBER	UM	DESCRIPTION	Works with
QPA10-1	EA	Select Santoprene™ tube	Classic 100 & 170 only
QPA10-2	2-PK	select # 1 or 2 for ■	
EUROPE QPA69-1	EA	Select Santoprene™ tube	Classic 100 & 170 only
EUROPE QPA69-2	2-PK	# 1 or 2 for ■	

Refer to the **Flow Rate Output Charts** to match the pump model with the correct tube.

### QuickPro® Innermost Pump Head Parts

PART NUMBER	UM	DESCRIPTION	Works with
QP10A-1	EA	Pump Head Cover	Classic 100 & 170 only
QP10A-2	2-PK		
QP50A-1	EA	Roller Assembly	

\* Confirm material compatibility with the chemical resistance guide in the catalog.



The Classic, SVP, M128 and S series are manufactured with the patent pending QuickPro® pump head. The QuickPro® contains a collapsible roller assembly and the housing is attached by latches instead of screws.

### QuickPro® Pump Head Service Kits 0-25 psi (0-1.7 bar)

Kit includes parts as shown, duckbill not included

PART NUMBER	UM	DESCRIPTION	Works with
QP25■K	KIT	Kit-Select Santoprene® tube # 1, 2, 3 or 4 for ■	Classic / SVP
QP255K	KIT	Kit-#5 Santoprene® tube	Classic / SVP / M128 M05 only
QP25T■K	KIT	Kit-Select Versilon™ tube # 1, 2, 3, 4 or 5 for ■	Classic / SVP
EUROPE	QP17■K	Kit-Select Santoprene® tube # 1, 2, 3, 4 or 5 for ■	Classic / SVP
	QP17T■K	Kit-Select Versilon™ tube # 1, 2, 3, 4 or 5 for ■	

### QuickPro® Pump Head Service Kits 26-100 psi (1.8-6.9 bar)

Kit includes parts as shown

PART NUMBER	UM	DESCRIPTION	Works with
QP10■K	KIT	Kit-Select Santoprene® tube # 1 or 2 for ■	Classic / SVP
QP107K	KIT	Kit-#7 Santoprene® tube	Classic 45 & 85 only / SVP / M128 M07 only
QP10T■K	KIT	Kit-Select Versilon™ tube # 1 or 2 for ■	Classic / SVP
EUROPE	QP69■K	Kit-Select Santoprene® tube # 1 or 2 for ■	Classic / SVP
	QP697K	Kit-#7 Santoprene® tube	
	QP69T■K	Kit-Select Versilon™ tube # 1 or 2 for ■	

### S SERIES

#### QuickPro® Pump Head Service Kits 25 psi (1.7 bar) maximum

Kit includes parts as shown, duckbill not included

PART NUMBER	UM	DESCRIPTION	Works with
S310■K	KIT	Kit-Select Santoprene® tube # 3, 4 or 5 for ■	S Series
S320■K	KIT	Kit-Select Versilon™ tube # 3, 4 or 5 for ■	
EUROPE	S311■K	Kit-Select Santoprene® tube # 3, 4 or 5 for ■	
	S321■K	Kit-Select Versilon™ tube # 3, 4 or 5 for ■	

### S SERIES

#### QuickPro® Pump Head Service Kits 100 psi (6.9 bar) maximum

Kit includes parts as shown

PART NUMBER	UM	DESCRIPTION	Works with
S310■K	KIT	Kit-Select Santoprene® tube # 1, 2 or 7 for ■	S Series
S320■K	KIT	Kit-Select Versilon™ tube # 1 or 2 for ■	
EUROPE	S311■K	Kit-Select Santoprene® tube # 1, 2 or 7 for ■	
	S321■K	Kit-Select Versilon™ tube # 1 or 2 for ■	

Refer to the **Flow Rate Output Charts** to match the pump model with the correct tube.

\* Confirm material compatibility with the chemical resistance guide in the catalog. Santoprene® is beige; Versilon™ and Pellathane® are clear; the FKM duckbill is black.

# PUMP HEAD PARTS

QuickPro® PUMP LINE  
ECON PUMP LINE



QP Tube Housing with Latches  
or  
QP Tube Housing with Leak Detect  
and Latches, S Series only



QP Roller Assembly  
or  
QP Roller Assembly with  
Spline, S Series only



Pump Tubes  
Page 43



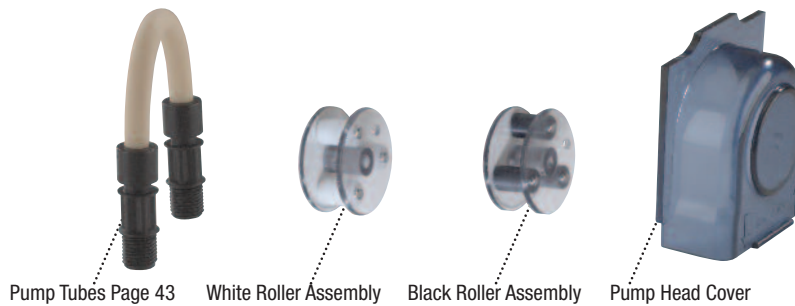
QP Tube Housing Cover  
or  
QP Tube Housing Cover with  
Leak Detect, S Series only

The Classic, SVP, M128 and S series are manufactured with the patent pending QuickPro® pump head. The QuickPro® contains a collapsible roller assembly and the housing is attached by latches instead of screws.

QuickPro® PUMP LINE - Pump Head Parts			
PART NUMBER	UM	DESCRIPTION	Works with
QP400-1	EA	QP Tube Housing	Classic / SVP / M128
QP400-2	2-PK	with Latches	
QP401-2	2-PK	QP Latches only	Classic / SVP / S / M128
QP500-1	EA	QP Roller Assembly	Classic / SVP / M128
QP500-4	4-PK		
QP501-3	EA	QP Roller Arm Assembly includes arms, bushings, rollers, screws	Classic / SVP / S / M128
QP100-1	EA	QP Tube Housing Cover	Classic / SVP / M128
QP100-4	4-PK	with Bushing	

## S SERIES

QuickPro® PUMP LINE - Pump Head with Leak Detect Parts			
PART NUMBER	UM	DESCRIPTION	Works with
S3400-1	EA	QP Tube Housing with	S Series only
S3400-2	2-PK	Leak Detect and Latches	
S3500-1	EA	QP Roller Assembly	
S3500-4	4-PK	with Spline	
S3600-1	EA	QP Tube Housing Cover	
S3600-4	4-PK	with Leak Detect	
QP401-2	2-PK	QP Latches only	Classic / SVP / S / M128
QP501-3	EA	QP Roller Arm Assembly includes arms, bushings, rollers, screws	



ECON PUMP LINE - Pump Head Parts			
PART NUMBER	UM	DESCRIPTION	Works with
EC350	EA	White Roller Assembly	Refer to the Flow Rate Output Charts to match the Econ pump model with the correct tube and roller assembly.
EC351	EA	Black Roller Assembly	
EC355	EA	Pump Head Cover	



Injection Check Valve 1/4"



Injection Check Valve 3/8"



Injection Fitting



Santoprene® Duckbill



Santoprene® O-Ring



Pellathane® Duckbill



FKM® Duckbill



FKM® O-Ring

### Check Valves 26-100 psi (1.8-6.9 bar)

PART NUMBER	UM	DESCRIPTION	Works with
<b>UCDBINJ</b> <b>MCDBINJ</b>	EA 5-PK	CV includes Santoprene® duckbill, ferrule 1/4"	All Pumps
<b>UCTYINJ</b> <b>MCTYINJ</b>	EA 5-PK	CV includes Pellathane® duckbill, ferrule 1/4"	
<b>UCKMINJ</b> <b>MCKMINJ</b>	EA 5-PK	CV includes FKM® duckbill, ferrule 1/4"	
<b>UCINJ38</b> <b>MCINJ38</b>	EA 5-PK	CV includes Santoprene® duckbill, ferrule 3/8"	
<b>UCTYIJ38</b> <b>MCTYIJ38</b>	EA 5-PK	CV includes Pellathane® duckbill, ferrule 3/8"	
<b>UCKMI38</b> <b>MCKMI38</b>	EA 5-PK	CV includes FKM® duckbill, ferrule 3/8"	
<b>BCV14TVH</b>	EA	Injection ball check valve 1/4"	
<b>UCINJCE</b> <b>MCINJCE</b>	EA 5-PK	CV includes Santoprene® duckbill, ferrule 6 mm	
<b>UCTINJCE</b> <b>MCTINJCE</b>	EA 5-PK	CV includes Pellathane® duckbill, ferrule 6 mm	
<b>UCKMJCE</b> <b>MCKMJCE</b>	EA 5-PK	CV includes FKM® duckbill, ferrule 6 mm	

### Check Valve Parts 26-100 psi (1.8-6.9 bar)

PART NUMBER	UM	DESCRIPTION	Works with
<b>CVIJ1/4</b>	EA	Check Valve Injection Fitting 1/4"	All Pumps
<b>CVIJ3/8</b>	EA	Check Valve Injection Fitting 3/8"	
<b>UCCVDB0</b> <b>MCCVDB0</b>	2-PK 5-PK	Santoprene® Check Valve Duckbill	
<b>CVIJOR</b>	EA	Santoprene® Check Valve O-Ring	
<b>UCTYDB2</b> <b>MCTYDB5</b>	2-PK 5-PK	Pellathane® Check Valve Duckbill	
<b>UCKMDB0</b> <b>MCKMDB0</b>	2-PK 5-PK	FKM® Check Valve Duckbill & O-Ring	
<b>TVIJOR</b>	EA	Pellathane® Check Valve O-Ring	



Injection Fitting with Nut & Ferrule 1/4"

### Injection Fittings 0-25 psi (0-1.7 bar)

PART NUMBER	UM	DESCRIPTION	Works with
<b>UCAK300</b> <b>MCAK300</b>	EA 5-PK	Injection Fitting with Nut & Ferrule 1/4"	All Pumps
<b>UCAK3CE</b>	KIT	Injection Fitting with Nut & Ferrule 6 mm	

\* Confirm material compatibility with the chemical resistance guide in the catalog. Santoprene® is beige; Versilon™ and Pellathane® are clear; the FKM duckbill is black.

# MISC. PARTS and SUCTION/DISCHARGE TUBING



Connecting Nut 1/4"



Connecting Nut 3/8"



Connecting Nut 3/8" with Adapter



Ferrule 1/4"



Weighted Suction Line Strainer



AquaShield®



Flow Indicator with Bracket



Filter Assembly



1/4" White

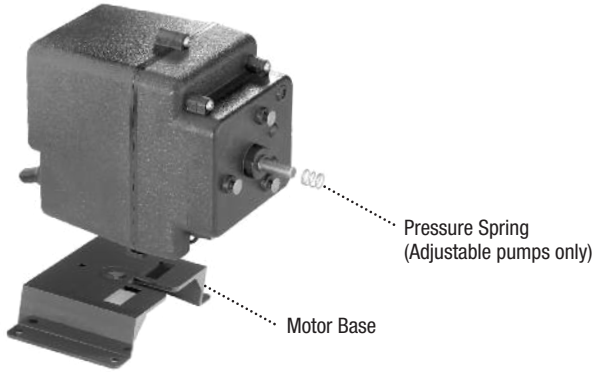


3/8" UV Black

Miscellaneous Parts					
PART NUMBER	UM	DESCRIPTION	Works with		
<b>UCAK100</b>	10-PK	Connecting Nut 1/4"	All Pumps		
<b>MCAK100</b>	24-PK				
<b>MANUT00</b>	EA	Connecting Nut 3/8"			
<b>UCADPTR</b>	2-PK	Connecting Nut 3/8"			
<b>MCADPTR</b>	5-PK	with Adapter			
<b>UCAK200</b>	10-PK	Ferrule 1/4"			
<b>MCAK200</b>	24-PK				
<b>ST114</b>	EA	Weighted Suction Line Strainer 1/4"	Flow Indicator		
<b>ST138</b>	EA	Weighted Suction Line Strainer 3/8"			
<b>MAGRE55</b>	EA	AquaShield® 5.5 oz. Tube			
<b>AK600</b>	EA	Flow Indicator 1/4" with Bracket			
<b>AK700</b>	EA	Flow Indicator 3/8" with Bracket			
<b>AK900</b>	EA	Flow Indicator Bracket			
<b>P2000</b>	EA	Filter Assembly		Prop. Inj. Sys.	
<b>EUROPE</b>	<b>MCAK2CE</b>	24-PK		Ferrule 6 mm	All Pumps
	<b>ST106</b>	EA		Weighted Suction Line Strainer 6 mm	
	<b>AK800</b>	EA		Flow Indicator 6 mm with Bracket	

Suction/Discharge Tubing				
PART NUMBER	UM	DESCRIPTION	Works with	
<b>AK4002B</b>	ROLL	1/4" x 20' UV Black	All Pumps	
<b>AK4002W</b>	ROLL	1/4" x 20' White		
<b>AK4010B</b>	ROLL	1/4" x 100' UV Black		
<b>AK4010W</b>	ROLL	1/4" x 100' White		
<b>AK4100B</b>	ROLL	1/4" x 1000' UV Black		
<b>AK4100W</b>	ROLL	1/4" x 1000' White		
<b>MALT02B</b>	ROLL	3/8" x 20' UV Black		
<b>MALT002</b>	ROLL	3/8" x 20' White		
<b>MALT10B</b>	ROLL	3/8" x 100' UV Black		
<b>MALT010</b>	ROLL	3/8" x 100' White		
<b>MALTB10</b>	ROLL	3/8" x 1000' UV Black		
<b>MALT100</b>	ROLL	3/8" x 1000' White		
<b>EUROPE</b>	<b>AK20W6M</b>	ROLL		6 mm x 20' White

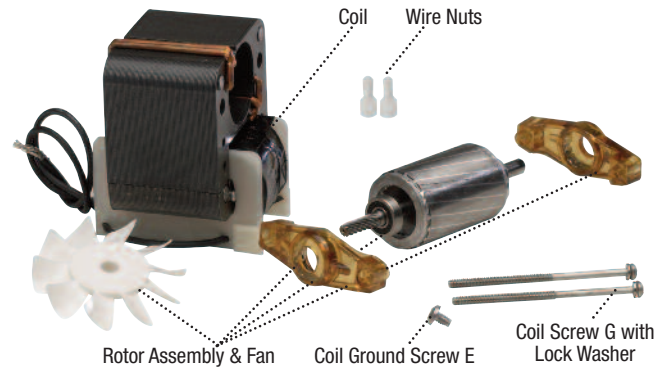




Motor 60Hz			
PART NUMBER	UM	DESCRIPTION	Works with
PM6041D	EA	120V	Adjustable 45 & 100
PM6042D	EA	220V	
PM6081D	EA	120V	Adjustable 85 & 170
PM6082D	EA	220V	
ME6041D	EA	120V	Fixed 45
ME6042D	EA	220V	
ME6081D	EA	120V	Fixed 85
ME6082D	EA	220V	
DM6041D	EA	120V	Fixed 100
DM6042D	EA	220V	
DM6081D	EA	120V	Fixed 170
DM6082D	EA	220V	

Motor 50Hz			
PART NUMBER	UM	DESCRIPTION	Works with
PM64230	EA	230V	Adjustable 45 & 100
PM6426D	EA	250V	
PM68230	EA	230V	Adjustable 85 & 170
PM6826D	EA	250V	
ME64230	EA	230V	Fixed 45
ME6426D	EA	250V	
ME68230	EA	230V	Fixed 85
ME6826D	EA	250V	
DM64230	EA	230V	Fixed 100
DM64250	EA	250V	
DM68230	EA	230V	Fixed 170
DM68250	EA	250V	

INTERNATIONAL

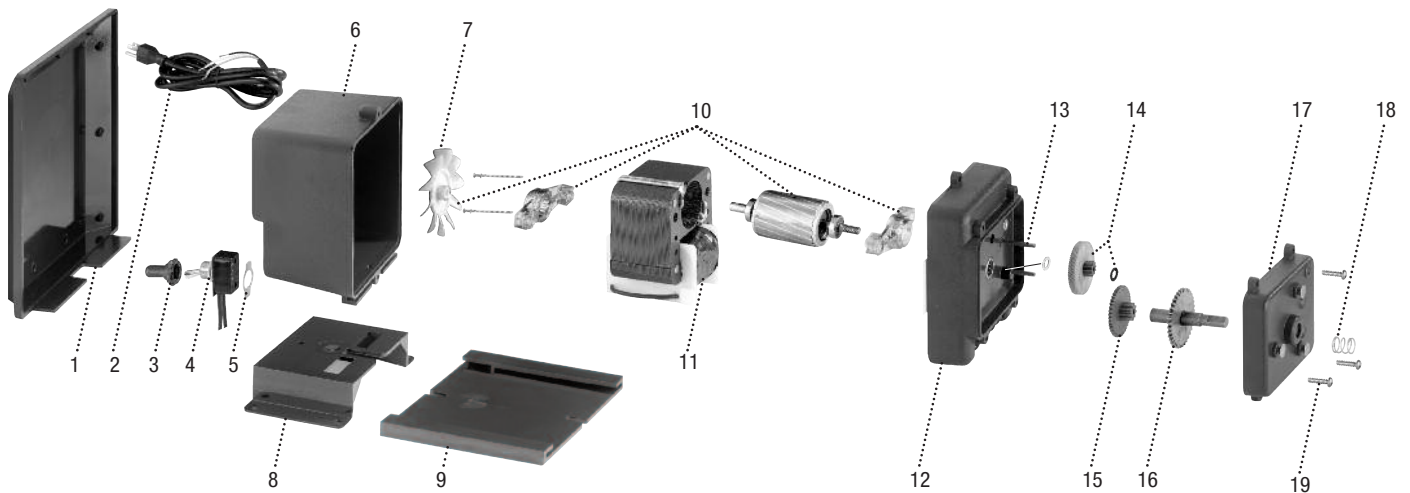


Motor Service Kits			
PART NUMBER	UM	DESCRIPTION	Works with
Kit includes parts as shown			
MSK120	KIT	120V 60Hz	All Classic Pumps
MSK220	KIT	220V 60Hz	

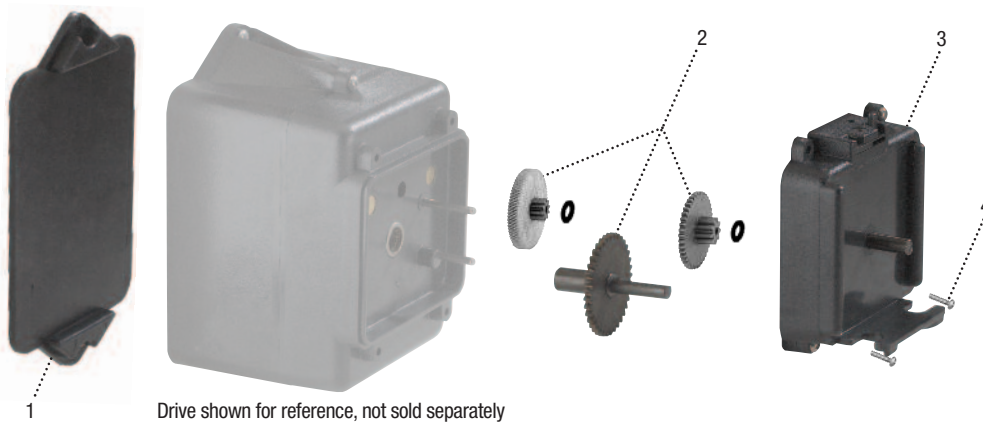


Gear Case Service Kits			
PART NUMBER	UM	DESCRIPTION	Works with
Kit includes parts as shown			
GSK45A	KIT	Gear Case Service Kit	Adjustable 45 & 100
GSK85A	KIT		Adjustable 85 & 170
GSK45F	KIT		Fixed 45
GSK85F	KIT		Fixed 85

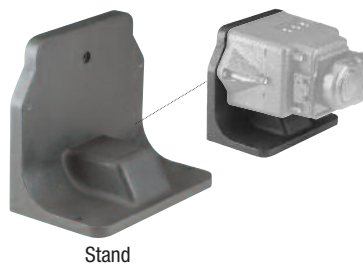




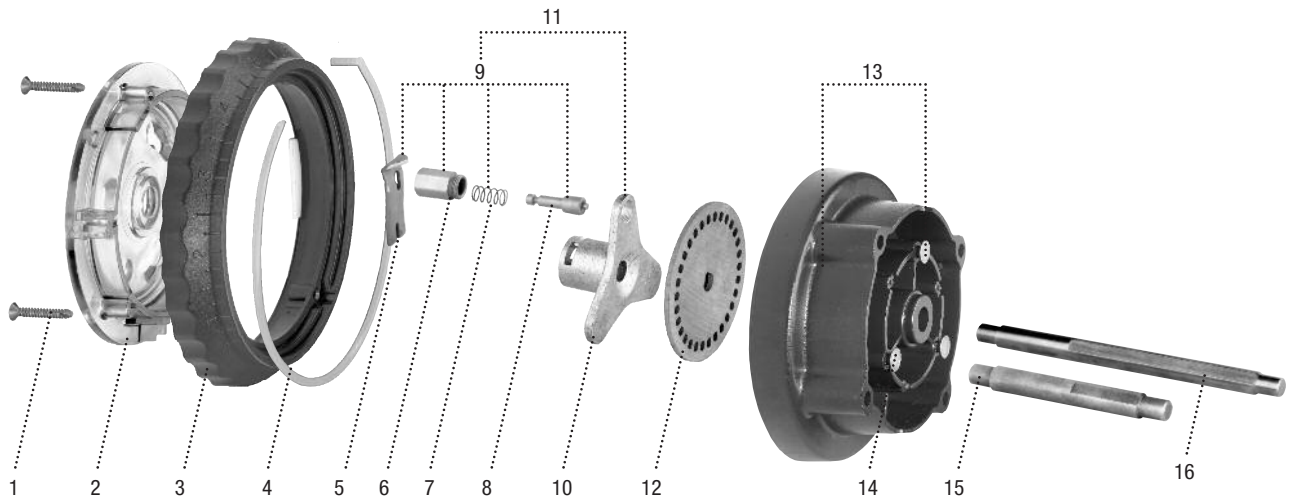
Motor Parts					Motor Parts				
DIAGRAM	PART NUMBER	UM	DESCRIPTION	Works with	DIAGRAM	PART NUMBER	UM	DESCRIPTION	Works with
1	<a href="#">MP90000</a>	EA	Rain Roof	All Classic Pumps	12	<a href="#">PM6K0BL</a>	EA	Gear Case with Posts	All Classic Pumps
Not shown	<a href="#">MP90001</a>	EA	Pump Cover	Adjustable 45 & 85	13	<a href="#">PM6M000</a>	EA	Gear Posts	
Not shown	<a href="#">MP90002</a>	KIT	Pump Cover & Rain Roof		14	<a href="#">MP6N040</a>	EA	Phenolic Gear with Spacer 26 rpm	Adjustable 45 & 100 / Fixed 45 & 100
2	<a href="#">MP6B010</a>	EA	Power Cord 120V	All Classic Pumps		<a href="#">MP6N080</a>	EA	Phenolic Gear with Spacer 44 rpm	Adjustable 85 & 170 / Fixed 85 & 170
	<a href="#">MP6B020</a>	EA	Power Cord 220V			15	<a href="#">MP6O040</a>	EA	Metal Reduction Gear 26 rpm
3	<a href="#">MP6C000</a>	EA	Switch Boot			<a href="#">MP6O080</a>	EA	Metal Reduction Gear 44 rpm	Adjustable 85 & 170 / Fixed 85 & 170
4	<a href="#">PM6E000</a>	EA	Toggle Switch		16	<a href="#">MP6Q00D</a>	EA	Motor Shaft with Gear	Adjustable 45, 85, 100 & 170
5	<a href="#">MP6D000</a>	EA	On-Off Switch Plate			<a href="#">ME6Q0LD</a>	EA	Motor Shaft with Gear	Fixed 45 & 85
6	<a href="#">PM6A0BL</a>	EA	Motor Cover with 120V Cord			<a href="#">DM6Q0LD</a>	EA	Motor Shaft with Gear	Fixed 100 & 170
	<a href="#">PM6A00L</a>	EA	Motor Cover with 220V Cord		17	<a href="#">PM6R0BL</a>	EA	Gear Case Cover	All Classic Pumps
7	<a href="#">PM6F000</a>	EA	Motor Fan		18	<a href="#">MP6T000</a>	EA	Pressure Spring	Adjustable 45, 85, 100 & 170
8	<a href="#">MP70000</a>	EA	Motor Base		19	<a href="#">UCCPS0B</a>	10-PK	Cover Screw B	All Pumps
9	<a href="#">MP80000</a>	EA	Mounting Bracket			<a href="#">MCCPS0B</a>	24-PK		
10	<a href="#">PMBRPL2</a>	EA	Rotor Assembly with Bearings, Brackets, Tolerance Rings & Fan						
11	<a href="#">MP6J115</a>	EA	Coil 60Hz 120V						
	<a href="#">MP6J226</a>	EA	Coil 60Hz 220V						
	<a href="#">MP6J223</a>	EA	Coil 50Hz 230V						
	<a href="#">MP6J222</a>	EA	Coil 50Hz 250V						



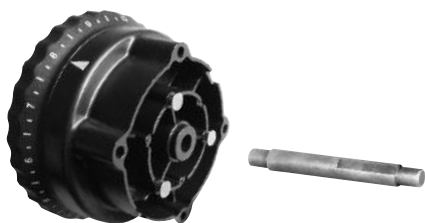
Motor Parts				
DIAGRAM	PART NUMBER	UM	DESCRIPTION	Works with Econ Pumps
1	<b>EC302</b>	EA	Drive Assembly Pad	Econ: FP / Integrator™ / LD / Stennicator / T
Not shown	<b>EC300</b>	EA	DC Motor, brushed with leads	Econ T E10 only
Not shown	<b>EC307</b>	EA	DC Motor, brushed with leads	Econ T E20 only
Not shown	<b>EC301</b>	EA	DC Motor, brushless	Econ: FP / Integrator™ / LD / Stennicator
2	<b>EC310</b>	KIT	Gear Kit includes spacers, screws & AquaShield®	Econ: T E10 only / LD
	<b>EC320</b>	KIT	Gear Kit includes spacers, screws & AquaShield®	Econ: T E20 only / FP / Integrator™ / Stennicator
3	<b>EC330</b>	EA	Gear Case Front Cover	All Econ Pumps
4	<b>UCCPSOB</b> <b>MCCPSOB</b>	10-PK 24-PK	Cover Screw B	All Econ Pumps



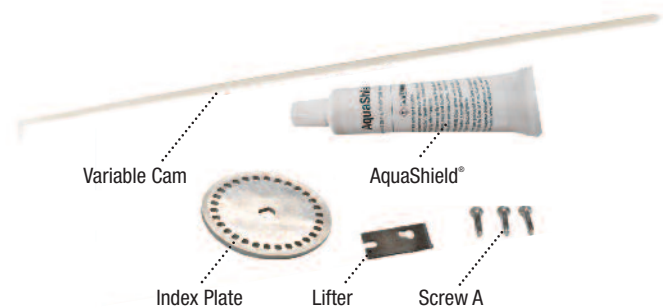
Optional Mounting Accessories				
PART NUMBER	UM	DESCRIPTION	Works with Econ Pumps	
<b>EC303</b>	KIT	Mounting Kit (for wall mount or Stenner tank)	All Econ Pumps	
<b>EC304</b>	EA	Stand (for horizontal display or wall mount)		



Feed Rate Control Parts				
DIAGRAM	PART NUMBER	UM	DESCRIPTION	Works with
1	<b>FCS000A</b>	EA	FRC Screw A	Adjustable 45, 85, 100 & 170
2	<b>FC5N000</b>	EA	Feed Rate Mounting Plate	
3	<b>FC5M040</b>	EA	Dial Ring	
4	<b>UCFC5H0</b> <b>MCFC5H0</b>	2-PK 5-PK	Variable Cam	
5	<b>UCFC5L1</b> <b>MCFC5L1</b>	2-PK 5-PK	Index Pin Lifter	
6	<b>FC5L003</b>	EA	Index Pin Holder	
7	<b>FC5L005</b>	EA	Index Pin Spring	
8	<b>FC5L002</b>	EA	Index Pin	
9	<b>UCFC5AY</b> <b>MCFC5AY</b>	EA 2-PK	Index Pin Assembly with Lifter includes 5, 6, 7 & 8	
10	<b>FC5K00D</b>	EA	Index Spider	Adjustable 45, 85, 100 & 170
11	<b>FC5LASY</b>	EA	Index Spider Assembly includes 9 & 10	
12	<b>UCFC5ID</b> <b>MCFC5ID</b>	EA 5-PK	Index Plate	
13	<b>FC5D00S</b>	EA	Feed Rate Housing with Roller Clutch, Seal & Rivets	Adjustable 45 & 85
14	<b>FCS000C</b>	EA	Mounting Rivet C	
15	<b>UCFC5AD</b> <b>MCFC5AD</b>	EA 2-PK	Main Shaft	
16	<b>DM5A00D</b>	EA	Main Shaft	Adjustable 100 & 170



Feed Rate Control with Shaft			
PART NUMBER	UM	DESCRIPTION	Works with
<b>FC5040D</b>	EA	Feed Rate Control	Adjustable 45 & 85
<b>DM5040D</b>	EA	with Shaft	Adjustable 100 & 170



Feed Rate Service Kits			
Kit includes parts as shown			
PART NUMBER	UM	DESCRIPTION	Works with
<b>FSK100</b>	KIT	Feed Rate Control Service Kit	Adjustable 45, 85, 100 & 170