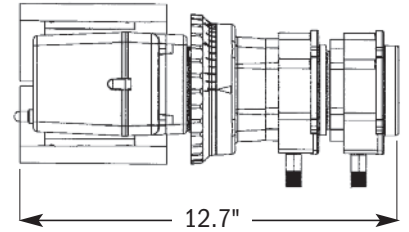
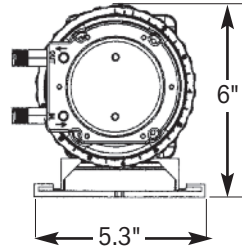
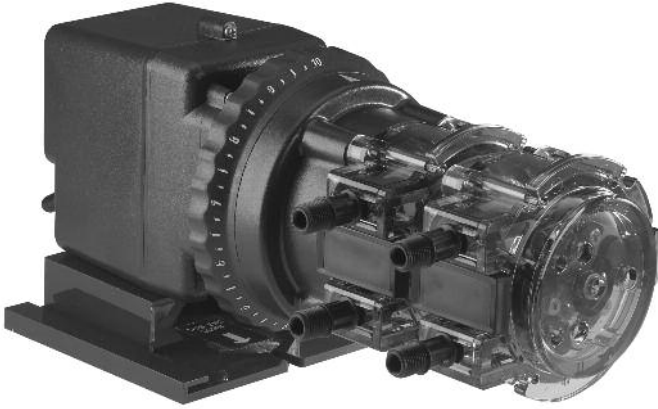
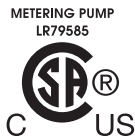
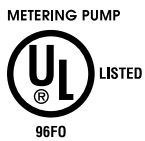


# CLASSIC - DOUBLE HEAD ADJUSTABLE SPECIFICATIONS **STENNER PUMPS**



**SHIPPING WEIGHT** 10 lbs (4.5 kg)



THIS PUMP IS TESTED AND CERTIFIED BY WQA ACCORDING TO NSF/ANSI 61 FOR CONTACT WITH SODIUM HYPOCHLORITE AND WATER ONLY AND NSF/ANSI 372.



**Intertek**  
94247  
**CONFORMS TO ANSI/NSF STD. 50**  
Equipment for swimming pools, spas, hot tubs and other recreational water facilities.

Agency listings vary by model. Contact factory for details.

## FEATURES

- 3-point roller design assists in anti-siphon protection
- Pump head requires no valves, allows for easy maintenance
- Self-priming against maximum working pressure, foot valve not required
- Pump does not lose prime or vapor lock
- Pumps off-gassing solutions and can run dry
- Output volume is not affected by back pressure
- Injection check valve included with models rated up to 100 psi (6.9 bar)
- Easy to change pump tube; lubrication is not required
- Pump tubes and pump heads interchange between models
- Models (Santoprene® only) tested by Water Quality Association to conform to ANSI/NSF STD 61
- Adjustable models (Santoprene® only) tested by ETL to conform to ANSI/NSF STD 50



**STENNER PUMP COMPANY**

Jacksonville, Florida USA

[www.stenner.com](http://www.stenner.com)

© Stenner Pump Company All Rights Reserved

# CLASSIC - DOUBLE HEAD ADJUSTABLE SPECIFICATIONS **STENNER PUMPS**

## OUTPUT CONTROL

Adjustable models only, external dial ring adjustment from 5%-100% in 2.5% increments

## MAXIMUM WORKING PRESSURE

**100 psi (6.9 bar)** 100DMHP5, 100DMHP20, 170DMHP9, 170DMHP34

**25 psi (1.7 bar)** 100DM1, 100DM2, 100DM3, 100DM4, 100DM5, 170DM1, 170DM2, 170DM3, 170DM4, 170DM5

## MAXIMUM OPERATING TEMPERATURE

125° F (52° C)

## MAXIMUM SUCTION LIFT

25 ft (7.6 m) vertical lift, based on water

## MOTOR TYPE

1/30 HP, shaded pole, class B

## APPROXIMATE GEAR MOTOR RPM

26

## DUTY CYCLE

Continuous

## MOTOR VOLTAGE (AMP DRAW)

120V 60Hz 1PH (1.7)  
 220V 60Hz 1PH (0.9)  
 230V 50Hz 1PH (0.9) *International*  
 250V 50Hz 1PH (0.9) *International*

## POWER CORD TYPE

SJTOW

## POWER CORD PLUG END

120V 60Hz NEMA 5/15  
 220V 60Hz NEMA 6/15  
 230V 50Hz CEE 7/VII  
 250V 50Hz CEE 7/VII

## MATERIALS OF CONSTRUCTION

**All Housings** Polycarbonate

### Pump Tube & Check Valve Duckbill

Santoprene\*\*, optional Versilon\*\*\* #1, #2, #5 tubes, FDA approved

**CV Duckbill with Versilon\*\*\* Tube** Pellathane\*\*

**Pump Head Rollers** HDPE

**Roller Bushings** Oil impregnated sintered bronze

**Suction/Discharge Tubing, Ferrules 1/4" & 6 mm** Polyethylene, FDA approved

### Tube Fittings

Gray: Type 1 Rigid PVC, NSF listed  
 Black: PP, NSF listed

### Check Valve Fittings

Type 1 Rigid PVC, NSF listed

**Connecting Nuts** PP or Type 1 Rigid PVC

**Suction Line Strainer** PP or Type 1 Rigid PVC body with Type 1 Rigid PVC cap, NSF listed; ceramic weight

**All Fasteners** Stainless steel

**Pump Head Latches** Polypropylene

## ACCESSORY KIT SHIPPED WITH EACH PUMP

- 6** connecting nuts 1/4" or 3/8"
- 6** ferrules 1/4" or 6 mm *Europe*
- 2** injection check valves 100 psi (6.9 bar)  
OR 1 injection fitting 25 psi (1.7 bar)
- 2** weighted suction line strainers  
1/4", 3/8" or 6 mm *Europe*
- 2** 20' rolls suction/discharge tubing  
1/4" or 3/8", white or UV black  
OR 6 mm white *Europe*
- 2** additional pump tubes
- 2** additional latches
- 1** mounting bracket
- 1** manual

\* Santoprene® is a registered trademark of Exxon Mobil Corporation.

\*\* Versilon® is a registered trademark of Saint-Gobain Performance Plastics.

† Pellathane® is a registered trademark of The Dow Company.

## 100 Series – Adjustable Output Pump

| Double Head Model    | Maximum Pressure                      | Pump Tube Number | Approximate Output @ 60Hz |                |                  |                 |                   |                        | Approximate Output @ 50Hz |                 |                        |
|----------------------|---------------------------------------|------------------|---------------------------|----------------|------------------|-----------------|-------------------|------------------------|---------------------------|-----------------|------------------------|
|                      |                                       |                  | Gallons per Day           | Liters per Day | Gallons per Hour | Liters per Hour | Ounces per Minute | Milliliters per Minute | Liters per Day            | Liters per Hour | Milliliters per Minute |
| 100DMHP5*<br>100DM1  | 100 psi (6.9 bar)<br>25 psi (1.7 bar) | #1<br>#1         | 0.3 to 6.0                | 1.1 to 22.7    | 0.01 to 0.25     | 0.05 to 0.95    | 0.03 to 0.53      | 0.76 to 15.76          | 0.9 to 18.2               | 0.04 to 0.76    | 0.61 to 12.64          |
| 100DMHP20*<br>100DM2 | 100 psi (6.9 bar)<br>25 psi (1.7 bar) | #2<br>#2         | 1.0 to 20.0               | 3.8 to 75.7    | 0.04 to 0.83     | 0.16 to 3.15    | 0.09 to 1.78      | 2.64 to 52.57          | 3.0 to 60.6               | 0.13 to 2.53    | 2.11 to 42.06          |
| 100DM3               | 25 psi (1.7 bar)                      | #3               | 2.2 to 44.0               | 8.3 to 166.5   | 0.09 to 1.83     | 0.35 to 6.94    | 0.19 to 3.91      | 5.76 to 115.63         | 6.6 to 133.2              | 0.28 to 5.55    | 4.58 to 92.50          |
| 100DM4               | 25 psi (1.7 bar)                      | #4               | 3.5 to 70.0               | 13.2 to 265.0  | 0.15 to 2.92     | 0.55 to 11.04   | 0.31 to 6.22      | 9.17 to 184.03         | 10.6 to 212.0             | 0.44 to 8.83    | 7.36 to 147.22         |
| 100DM5               | 25 psi (1.7 bar)                      | #5               | 5.0 to 100.0              | 18.9 to 378.5  | 0.21 to 4.17     | 0.79 to 15.77   | 0.44 to 8.88      | 13.13 to 262.88        | 15.1 to 302.8             | 0.63 to 12.61   | 10.49 to 210.28        |

## 170 Series – Adjustable Output Pump

| Double Head Model    | Maximum Pressure                      | Pump Tube Number | Approximate Output @ 60Hz |                |                  |                 |                   |                        | Approximate Output @ 50Hz |                 |                        |
|----------------------|---------------------------------------|------------------|---------------------------|----------------|------------------|-----------------|-------------------|------------------------|---------------------------|-----------------|------------------------|
|                      |                                       |                  | Gallons per Day           | Liters per Day | Gallons per Hour | Liters per Hour | Ounces per Minute | Milliliters per Minute | Liters per Day            | Liters per Hour | Milliliters per Minute |
| 170DMHP9*<br>170DM1  | 100 psi (6.9 bar)<br>25 psi (1.7 bar) | #1<br>#1         | 0.5 to 10.0               | 1.9 to 37.9    | 0.02 to 0.42     | 0.08 to 1.58    | 0.04 to 0.89      | 1.32 to 26.32          | 1.5 to 30.3               | 0.06 to 1.26    | 1.04 to 21.04          |
| 170DMHP34*<br>170DM2 | 100 psi (6.9 bar)<br>25 psi (1.7 bar) | #2<br>#2         | 1.7 to 34.0               | 6.4 to 128.7   | 0.07 to 1.42     | 0.27 to 5.36    | 0.15 to 3.02      | 4.44 to 89.38          | 5.1 to 102.6              | 0.21 to 4.29    | 3.54 to 71.55          |
| 170DM3               | 25 psi (1.7 bar)                      | #3               | 4.0 to 80.0               | 15.1 to 302.8  | 0.17 to 3.33     | 0.63 to 12.62   | 0.35 to 7.11      | 10.49 to 210.28        | 12.1 to 242.2             | 0.50 to 10.09   | 8.40 to 168.22         |
| 170DM4               | 25 psi (1.7 bar)                      | #4               | 6.0 to 120.0              | 22.7 to 454.2  | 0.25 to 5.00     | 0.95 to 18.93   | 0.53 to 10.66     | 15.76 to 315.42        | 18.2 to 363.4             | 0.76 to 15.14   | 12.64 to 252.36        |
| 170DM5               | 25 psi (1.7 bar)                      | #5               | 8.5 to 170.0              | 32.2 to 643.5  | 0.35 to 7.08     | 1.34 to 26.80   | 0.76 to 15.10     | 22.36 to 446.88        | 25.7 to 514.8             | 1.07 to 21.45   | 17.92 to 357.50        |

\* Injection check valve included with pumps rated 26-100 psi (1.8-6.9 bar).

**NOTICE:** The information within this chart is solely intended for use as a guide. The output data is an approximation based on pumping water under a controlled testing environment. Many variables can affect the output of the pump. Stenner Pump Company recommends that all metering pumps undergo field calibration by means of analytical testing to confirm their outputs. The information contained in this flyer is not intended for specific application purposes. Stenner Pump Company reserves the right to make changes to prices, products, and specifications at any time without prior notice.