



**Scaleton™
Sets The Standard
In Corrosion
Resistance**

Model 2330™ Mechanical Dual Cylinder Scale

- Designed for weighing 12" diameter cylinders (and smaller)
- Two independent weighing platforms and dials
- Base size: 32"x18"
- Gross capacity range: 0-300 lbs. (130 kg) per disk
- High accuracy of $\pm 1\%$ of capacity
- Mechanical spring and lever movement
- Sturdy and accurate three point suspension on each weighing platform
- Patented



Dual Mechanical Dials
(Standard)

Standard Features

- Corrosion resistant molded fiberglass reinforced thermoplastic construction for use in harsh environments
- Low profile platform design increases safety and ease of cylinder handling
- Spring dial displays, one per each cylinder housed in molded fiber glass reinforced thermo plastic enclosure to provide protection from acids
- Self-locking tare adjustment knob
- Cylinder support and chains

Options

- Displays in pounds or kilograms

Chemicals

Scale is designed to accurately measure weight of alum, ammonia, caustic, fluoride, phosphate, polymers, sodium aluminate, sodium bisulfate, sodium hydroxide, sodium hypochlorite and other liquids or powders



**5 YEAR
FULL
WARRANTY
ON ALL PRODUCTS**

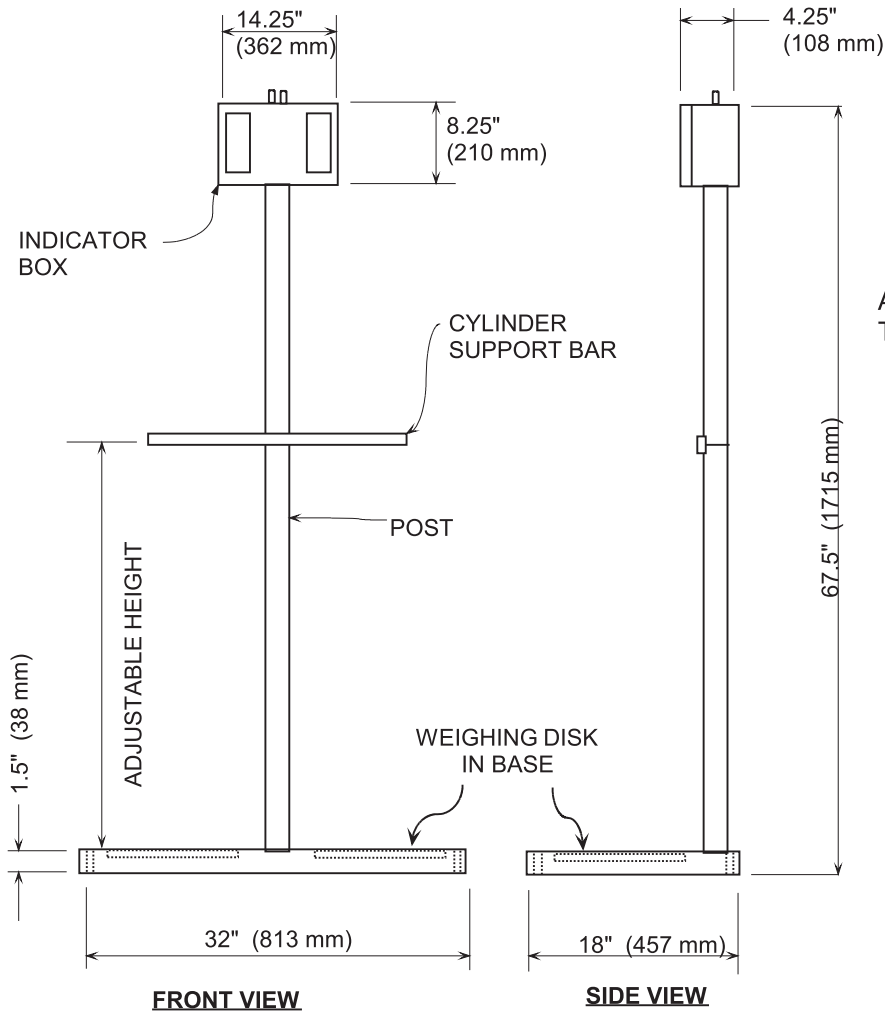
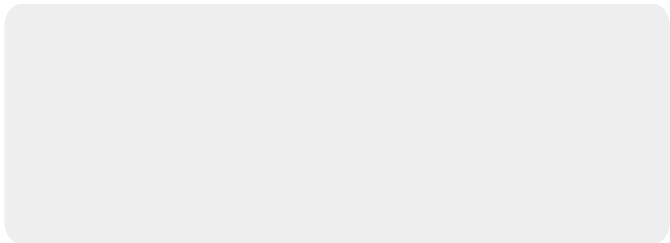
Scaleton Industries Ltd.

Bedminster Industrial Park
53 Apple Tree Lane • P.O. Box 365
Plumsteadville, PA 18949 • USA

Tel: (+1) 215-766-2670 (International)
Tel: (+1) 800-257-5911 (USA & Canada)
Fax: (+1) 215-766-2672

Email: info@scaletonscales.com
Website: www.scaletonscales.com

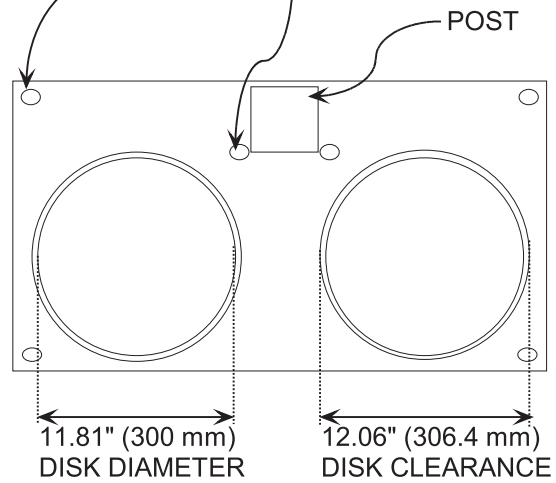
Model 2330™ Mechanical Dual Cylinder Scale General Specifications



CE 5 year FULL warranty on ALL products!

ANCHOR BOLT HOLES FOR 3/8" BOLT (not supplied) TYPICAL (4) PLACES

ANTI-BOTTOMING SCREWS~ TYPICAL (2) PLACES



TOP VIEW BASE

Indicator:	Integral mechanical indicator with dual dial
Platform Size	32" (813 mm) wide x 18" (457 mm) deep
Platform Height:	1-1/2" (38 mm)
Gross Capacity:	Up to 300 lbs. (130 kg) per disk
Accuracy:	±1% of full capacity
Resolution:	0.1 lb. (kg) up to 199.9 lbs. (kg)
Shipping Weight:	58 lbs.

Typical Specifications

Scale must be capable of measuring the net weight of two 150 lb. cylinders independently. Accuracy must be at least 1%. All hardware, pivots, bearings, flexures and rods to indicator must be stainless steel. All levers must be dry powder polyester plastic coated. Post and cross bar must be dry powder polyester plastic coated. The base and disks must be molded fiberglass reinforced thermoplastic construction to prevent corrosion.

Scale shall be a Model 2330™ as manufactured by Scaleton Industries Ltd., Plumsteadville, PA.