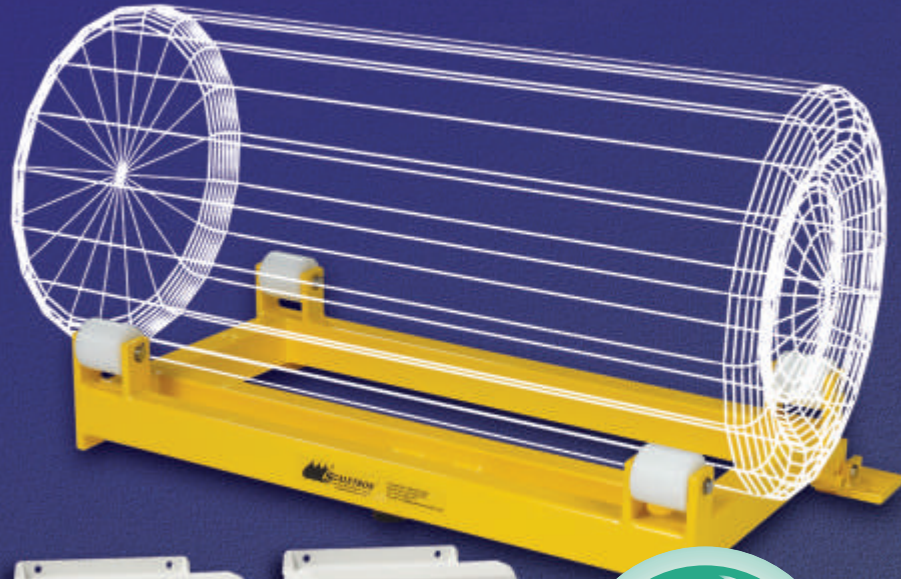




**Scaleton™
Sets The Standard
In Corrosion
Resistance**

Model 3001™ - 3006™ Digital Ton Cylinder Scale

- Designed for weighing ton cylinders
- Standard base sizes: 42-1/2"x24-1/4"
- Gross capacity range: 0-4000 lbs. (1814 kg) per base
- High accuracy of $\pm 0.5\%$ of capacity
- Standard indicator: 4-1/2 digit LCD display with easy readability to 1 lb. (kg), 0.1 lb. (kg)
- 1 - 6 Bases may be summed together into one indicator
- Readout in pounds or kilograms



4-1/2 Digit Controller
(Standard)



1020 5 Digit
Controller (Optional)



1099 Chemical
Process Controller (Optional)



Standard Features

- Rugged steel construction protected by a corrosion resistant finish
- Low profile platform design increases safety and ease of cylinder handling
- Trunnions with solid UHMW polyethylene rollers on stainless steel axles for ease of turning
- Electronic indicator housed in NEMA 4X, UL approved enclosure to provide protection from acids
- NTEP stainless steel temperature compensated load cell
- Self-locking tare adjustment knob
- 4-20 mA, 0-20 mA and -8 to +12 mA outputs – scale or loop powered
- 2 Low level alarm relay contacts
- 20 ft. of 4 conductor wire cable

Options

- 240 VAC power (4-1/2 digit display)
- 4-1/2 digit display with active and passive 4-20 mA, 0-20 mA, and -8 to +12 mA, and two adjustable low level contacts
- Model 1020™ 5 digit controller with loop powered 4-20 mA, up to four adjustable set points and one or two channels
- Model 1099™ Chemical Process Controller
- Remote mounting of indicator box up to 200 feet (61 meters) away
- Junction box – Additional length of wire cable

Chemicals

Scale is designed to accurately measure weight of alum, ammonia, caustic, fluoride, phosphate, polymers, sodium aluminate, sodium bisulfate, sodium hydroxide, sodium hypochlorite and other liquids or powders

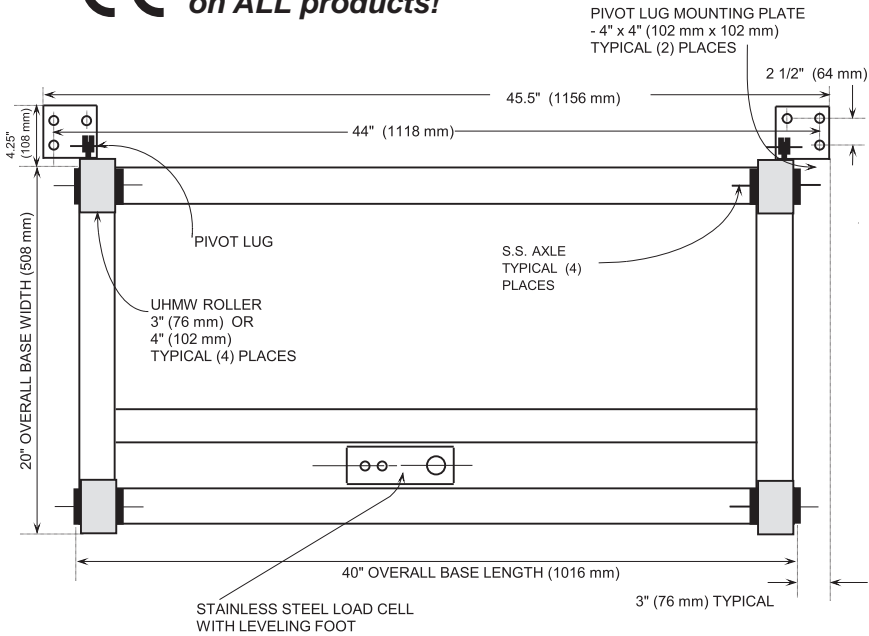
Scaleton Industries Ltd.

Bedminster Industrial Park
53 Apple Tree Lane • P.O. Box 365
Plumsteadville, PA 18949 • USA

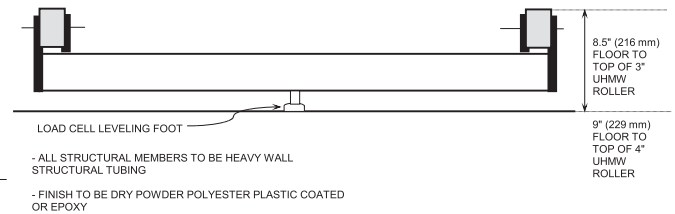
Tel: (+1) 215-766-2670 (International)
Tel: (+1) 800-257-5911 (USA & Canada)
Fax: (+1) 215-766-2672

Email: info@scaletonscales.com
Website: www.scaletonscales.com

CE 5 year FULL warranty
on ALL products!



Model 3001 - 3006™ Digital Ton Cylinder Scale General Specifications



Indicator:	4-1/2 Digit	1020™	1099™C.P.C.
Platform Size:	45-1/2" (1156 mm) length x 24-1/4" (508 mm) width		
Platform Height:	8-1/2" (216 mm) from floor to top of 3 inch UHMW roller 9" (229 mm) from floor to top of 4 inch UHMW roller		
Gross Capacity:	Up to 4000 lbs. (1814 kg) for each ton base — (150% overload protection is provided)		
Accuracy:	0.5% of full capacity		0.1%-0.25% full capacity
Resolution:	0.1 up to 999.9, or 1.0 over 1000 lbs. (kg)		
4-20mA:	Standard on Channel 1, optional on Channel 2 – loop powered		Standard on Channel 1– loop powered (available for Channels 2 thru 4)
Level Indication/ Relay Contacts:	(2) Standard		Optional – Up to 4 (as high or low) on one channel or more than one per channel for a total of 4 set points with relay contract
Power:	120VAC, 50/60 Hz, 0.3A 240VAC, 50/60 Hz, 0.15A	85VAC to 265VAC	
Enclosure:	NEMA 4X, UL Approved Enclosure		
Shipping Weight:	110 lbs.		

Typical Specifications

Ton Cylinder Scale must be smaller than the cylinder and tilt up for cleaning and inspection. There must be a provision for securing weigh frame to floor. The profile shall be ultra low so as not to require a pit. There must be means to level the frame built into the scale frame. The load cell must be NTEP approved Stainless Steel shear beam cell with a built-in mechanical overload stop to protect it from damage during rough cylinder loading. The frame must be dry powder polyester plastic coated. The trunnions shall be corrosion proof with UHMW polyethylene rollers, requiring no maintenance or greasing. Axles shall be made of stainless steel.

Scale shall be a Model 3001 - 3006™ as manufactured by Scaleton Industries Ltd., Plumsteadville, PA.

STANDARD INDICATOR:

4-1/2 Digit LED indicator: Indicator must be electronic with digital display with characters 0.56 inches high and housed in a NEMA 4X, UL approved enclosure. An output of 4-20 mA, 0-20 mA, or -8 to + 12 mA, selectable as scale or loop powered to provide versatility to interface with related equipment, must be standard equipment. Indicator comes with two low level relay contacts, standard. A knob to set tare weights is required. Indicator must be capable of 0.1 lb. or 0.1 kg up to 1000.0 lbs. or kg. Accuracy is 0.5% of full scale, or better.

OPTIONAL INDICATORS:

Model 1020™ 5 Digit Controller: Controller must be electronic with a two line, backlit alphanumeric digital display and housed in a NEMA 4X, UL approved enclosure. Available as single or dual channel and capable of displaying two channels simultaneously. A loop powered programmable output of 4-20 mA and four set points per channel must be standard equipment. Indicator must be capable of 0.1 lb. or 0.1 kg up to 4000 lbs. or 1814 kg. Accuracy is 0.25% of full scale, or better.

Model 1099™ Chemical Process Controller see separate specification.